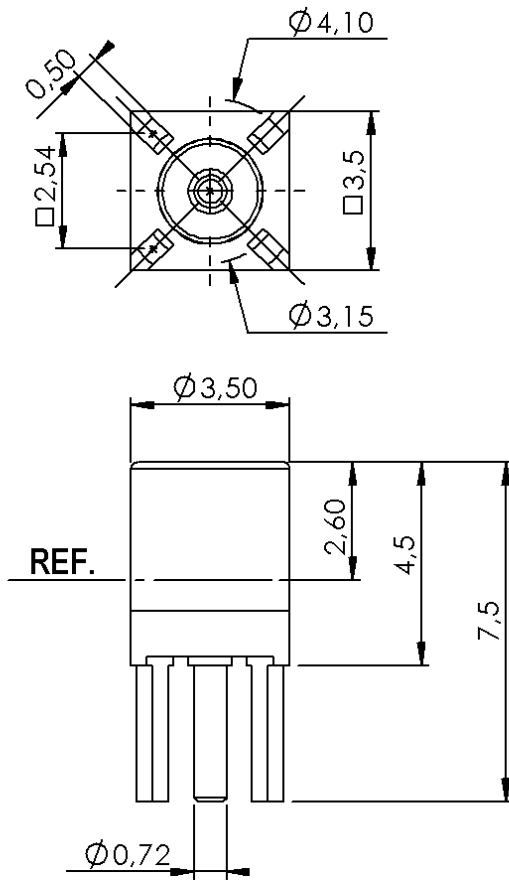


STRAIGHT JACK RECEPTACLE FOR PCB

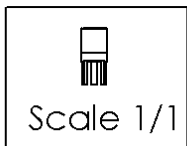
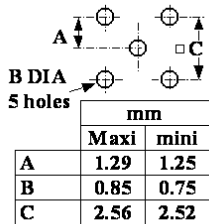
R110.426.107

SOLDER LEGS - PACK. 100

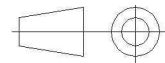
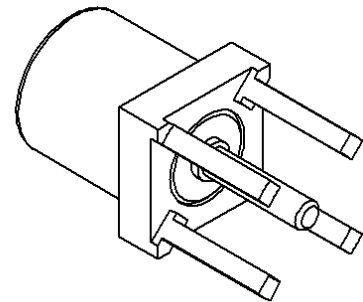
Series : MMCX



PANEL CUT OUT



All dimensions are in mm.



COMPONENTS	MATERIALS	PLATING (µm)
BODY	BZ4	GBR 2
CENTER CONTACT	BERYLLIUM COPPER	GOLD 1.3 OVER COPPER 2.5
OUTER CONTACT	-	-
INSULATOR	PTFE	-
GASKET	-	-
OTHERS PARTS	-	-
-	-	-
-	-	-

Issue : 0828 A

In the effort to improve our products, we reserve the right to make changes judged to be necessary.



STRAIGHT JACK RECEPTACLE FOR PCB

R110.426.107

SOLDER LEGS - PACK. 100

Series : MMCX

PACKAGING

SPECIFICATION

Standard	Unit	Other
100	'W' option	Contact us

ELECTRICAL CHARACTERISTICS

ENVIRONMENTAL

Impedance		50 Ω
Frequency		0-6 GHz
VSWR	NA +	0,0000 x F(GHz) Maxi
Insertion loss		NA √F(GHz) dB Maxi
RF leakage	- (66 - F(GHz)) dB Maxi
Voltage rating		170 Veff Maxi
Dielectric withstanding voltage		250 Veff mini
Insulation resistance		1000 MΩ mini

Operating temperature	-55/+155 ° C
Hermetic seal	NA Atm.cm3/s
Panel leakage	NA

OTHER CHARACTERISTICS

Assembly instruction

Others :

Distorsion of the magnetic field
 <0.5 ppm at 10mm at Bo=1.5 Tesla
 Non magnetic component

MECHANICAL CHARACTERISTICS

Center contact retention		
Axial force – Mating end	5	N mini
Axial force – Opposite end	5	N mini
Torque	NA	N.cm mini
Recommended torque		
Mating	NA	N.cm
Panel nut	NA	N.cm
Mating life	500	Cycles mini
Weight	0,0500	g

Issue : 0828 A

In the effort to improve our products, we reserve the right to make changes judged to be necessary.

